

# DS-KIS703-P

Video Intercom Two-Wire Bundle UD17634B-A



# DS-KV8103-IMPE2

Video Intercom Villa Door Station

ENGLISH

## 1 Appearance

- ① Microphone
- ② Calling Indicator
- ③ Speaking Indicator
- ④ Open Door Indicator
- ⑤ Built-in Camera
- ⑥ Supplement Light
- ⑦ Loudspeaker
- ⑧ TAMPER
- ⑨ Call Button

## 2 Terminals

- Ⓐ NC1 : Normally Close
- Ⓐ NO1 : Normally Open
- Ⓐ COM : Common Interface
- Ⓐ NC2 : Normally Close
- Ⓐ NO2 : Normally Open
- Ⓐ GND : Grounding
- Ⓐ AIN2 : Alarm Input 2
- Ⓐ AIN1 : Alarm Input 1
- Ⓐ 12V OUT : Power Output for Lock
- Ⓐ GND : Grounding
- Ⓐ 2-WIRE : Wire to Indoor Station

## 3 Installation

To install the door station onto the wall, you are required to utilize a matched gang box. The dimension of gang box is shown.

The door station supports surface mounting and flush mounting.

Before you begin:

1. Make sure the device in the package is in good condition and all the assembly parts are included.
2. Make sure all the related equipment is power-off during the installation.
3. Check the product specification for the installation environment.
4. Connect cables to the door station before mounting.

### ★ Surface Mounting with Gang Box

1. Take the gang box and screws from the packing box.
2. Fix the gang box onto the wall with 4 screws.
3. Install the door station into the gang box, and fix it with 4 screws.

### ★ Flush Mounting with Gang Box

1. Cave the installation hole, and pull the cable out.
- Note: The suggested dimension of the installation hole is 103.5 mm × 162.5 mm × 40.5 mm.
2. Insert the gang box into the hole with 4 screws.
3. Install the door station into the gang box, and fix it with 4 screws.

## 4 Getting Started

Wire the door station to the indoor station with 2-wire cables. You can activate the door station by indoor station. Set the open duration and other parameters by indoor station. Refers to the Indoor Station Configuration Guide for details. The application of the device is shown.

## 5 Video Intercom Operation

You can call the resident by pressing the call button.

1. Press the call button of the door station.
2. The resident can receive/decline the video call, unlock the door, etc.

Note:

- When the video intercom between you and the resident is realized, you can speak to the resident, and the live view of door station will be displayed on the connected indoor station.
- When the door station is calling the resident, the door station will detect the brightness of video automatically. When the brightness is lower than the expected threshold, the supplement light will be enabled.
- When the supplement light is enabled, the backlight of key will be auto-enabled, otherwise, the door station will detect the brightness of live view and enable the backlight of key when the brightness of live view is lower than expected threshold.

★ Refers to Video Intercom Villa Door Station User Manual(scan the QR code) for details.

### FCC Information

Please take attention that changes or modification not expressly approved by the party responsible for compliance could void the user's authority to operate the equipment.

**FCC compliance:** This equipment has been tested and found to comply with the limits for a Class B digital device, pursuant to part 15 of the FCC Rules. These limits are designed to provide reasonable protection against harmful interference in a residential installation. This equipment generates, uses and can radiate radio frequency energy and, if not installed and used in accordance with the instructions, may cause harmful interference to radio communications. However, there is no guarantee that interference will not occur in a particular installation. If this equipment does cause harmful interference to radio or television reception, which can be determined by turning the equipment off and on, the user is encouraged to try to correct the interference by one or more of the following measures:

- Reorient or relocate the receiving antenna.
- Increase the separation between the equipment and receiver.
- Connect the equipment into an outlet on a circuit different from that to which the receiver is connected.
- Consult the dealer or an experienced radio/TV technician for help.

This equipment should be installed and operated with a minimum distance 20cm between the radiator and your body.

Please take attention that changes or modification not expressly approved by the party responsible for compliance could void the user's authority to operate the equipment.

This device complies with Part 15 of the FCC Rules. Operation is subject to the following two conditions:

- (1) This device may not cause harmful interference, and
- (2) This device must accept any interference received, including interference that may cause undesired operation.

This equipment complies with FCC radiation exposure limits set forth for an uncontrolled environment. This equipment should be installed and operated with minimum distance 20cm between the radiator & your body.

**FCC Conditions**

This device complies with part 15 of the FCC Rules. Operation is subject to the following two conditions:

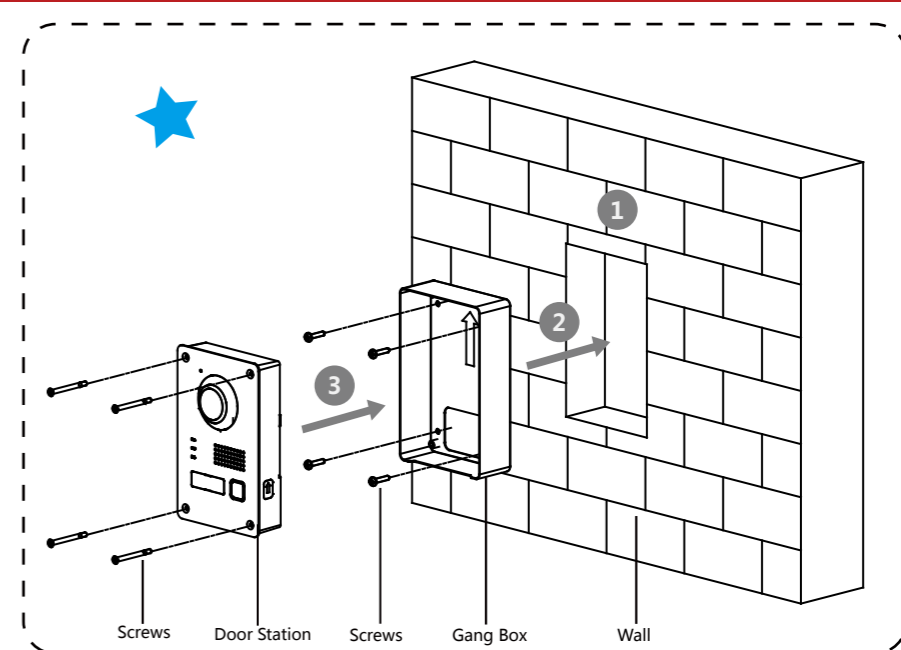
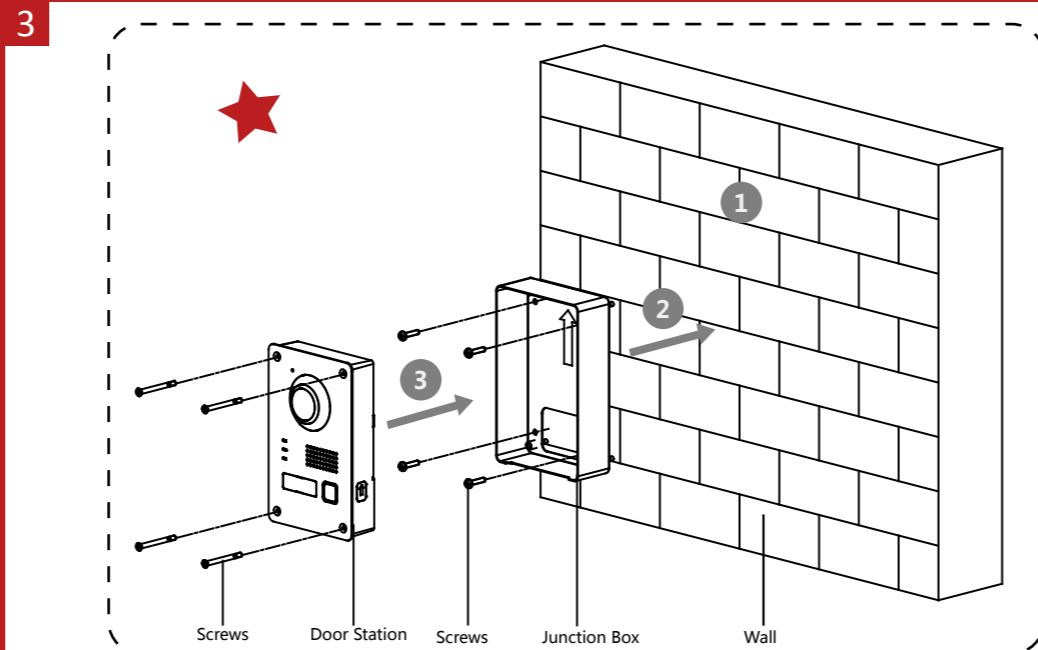
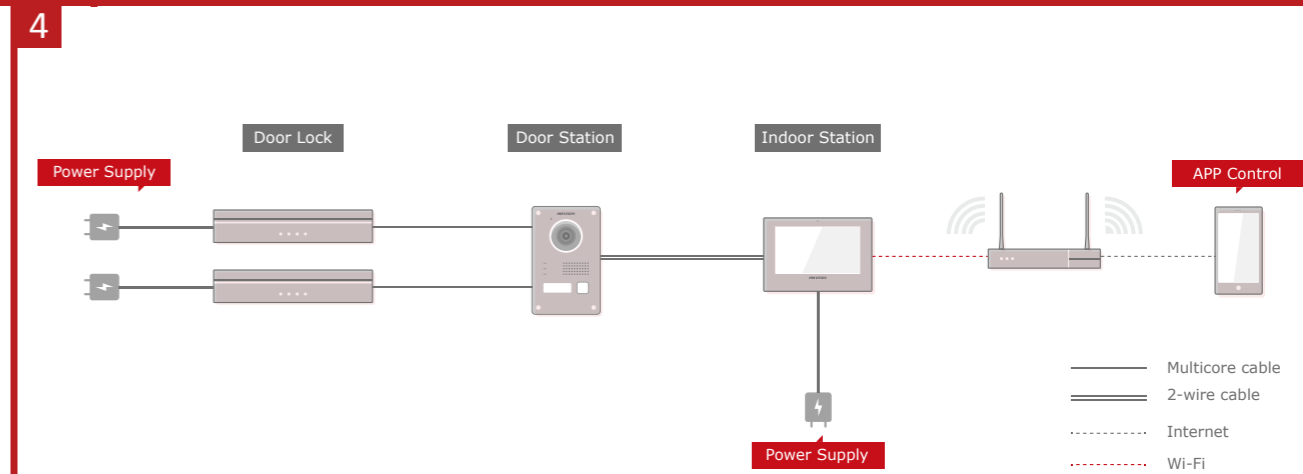
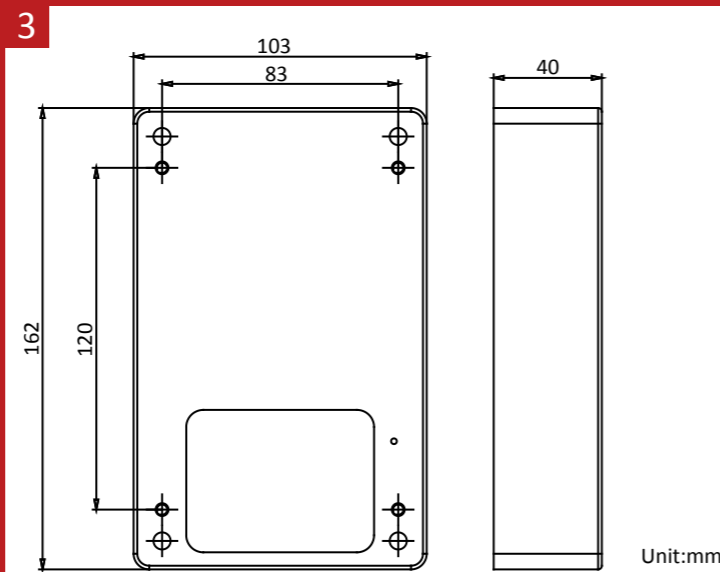
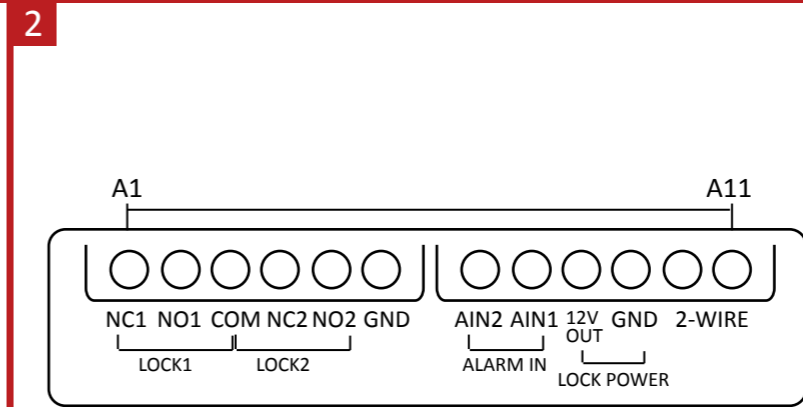
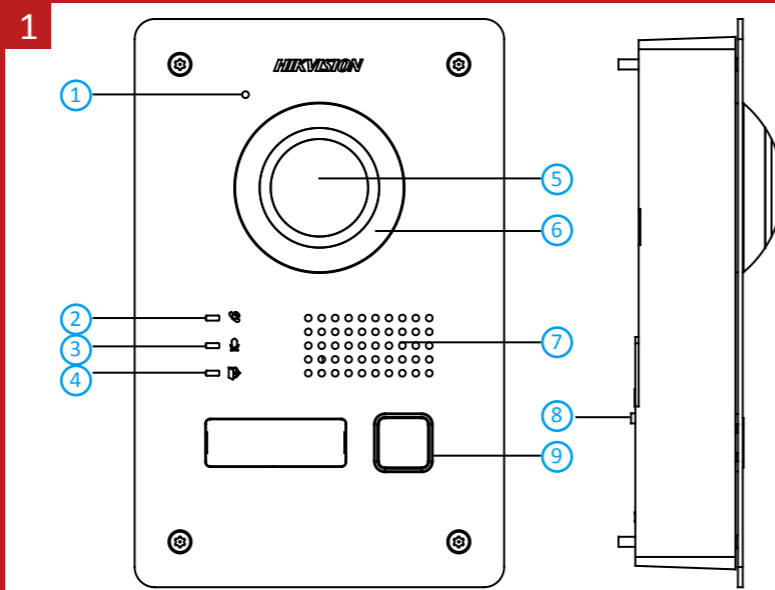
1. This device may not cause harmful interference.
2. This device must accept any interference received, including interference that may cause undesired operation.

### EU Conformity Statement

This product and - if applicable - the supplied accessories too are marked with "CE" and comply therefore with the applicable harmonized European standards listed under the RE Directive 2014/53/EU, the EMC Directive 2014/30/EU, the RoHS Directive 2011/65/EU.

2006/66/EC (battery directive): This product contains a battery that cannot be disposed of as unsorted municipal waste in the European Union. See the product documentation for specific battery information. The battery is marked with this symbol, which may include lettering to indicate cadmium (Cd), lead (Pb), or mercury (Hg). For proper recycling, return the battery to your supplier or to a designated collection point. For more information see: [www.recyclethis.info](http://www.recyclethis.info).

2012/19/EU (WEEE directive): Products marked with this symbol cannot be disposed of as unsorted municipal waste in the European Union. For proper recycling, return this product to your local supplier upon the purchase of equivalent new equipment, or dispose of it at designated collection points. For more information see: [www.recyclethis.info](http://www.recyclethis.info).



### Diagram References

#### 1 Appearance

- ① Display Screen
- ② Microphone
- ③ Debugging Port
- ④ Alarm Terminal
- ⑤ Two-Wire Interface
- ⑥ Loudspeaker
- ⑦ Power Supply Interface

Note: The debugging port is used for debugging only.

#### 2 Wiring

- AIN1: Alarm Input 1
- AIN2: Alarm Input 2
- AIN3: Alarm Input 3
- AIN4: Alarm Input 4
- AIN5: Alarm Input 5
- AIN6: Alarm Input 6
- AIN7: Alarm Input 7
- AIN8: Alarm Input 8
- GND: Grounding
- 485-: RS-485 Interface
- 485+: RS-485 Interface

Note: Wiring description refers to the User Manual.

#### 3 Installation

The wall mounting plate and the junction box are required to install the indoor station onto the wall.

The dimension of junction box should be 75 mm (width) × 75 mm (length) × 50 mm (depth). The dimension of wall mounting plate is shown.

Before you begin:

1. Make sure the device in the package is in good condition and all the assembly parts are included.
2. The power supply the indoor station supports is 12 VDC. Please make sure your power supply matches your indoor station.
3. Make sure all the related equipment is power-off during the installation.
4. Check the product specification for the installation environment.
5. Here takes wall mounting with junction box for example.

#### ★ Wall Mounting with Junction Box

1. Chisel a hole in the wall. The size of the hole should be 76 mm (width) × 76 mm (length) × 50 mm (depth).
2. Insert the junction box to the hole chiseled on the wall.
3. Fix the wall mounting plate to the junction box with 2 screws.
4. Hook the indoor station to the wall mounting plate tightly by inserting the plate hooks into the slots on the rear panel of the indoor station, during which the lock catch will be locked automatically.

#### ★ Wall Mounting without Junction Box

1. Insert 2 expansion tubes into the wall.
2. Fix the wall mounting plate to the wall with 2 screws.
3. Hook the indoor station to the wall mounting plate tightly by inserting the plate hooks into the slots on the rear panel of the indoor station, during which the lock catch will be locked automatically.

#### 4 Getting Started

##### ① Activate Indoor Station

You are required to activate the device first by setting a strong password for it before you can use the device.

1. Power on the device. It will enter the activation page automatically.
2. Create a password and confirm it.
3. Tap OK to activate the indoor station.

Note: We highly recommend you to create a strong password of your own choosing (using a minimum of 8 characters, including at least three kinds of following categories: upper case letters, lower case letters, numbers, and special characters) in order to increase the security of your product. And we recommend you reset your password regularly, especially in the high security system, resetting the password monthly or weekly can better protect your product.

##### ② Quick Configuration

1. Choose Language and tap Next.
2. Set network parameters and tap Next.
  - Edit Local IP, Subnet Mask and Gateway parameters.
  - Enable DHCP, the device will get network parameters automatically.
3. Configure the indoor station and tap Next.
  - a. Select Indoor Station Type.
  - b. Edit Floor and Room No.
4. Linked related devices and tap Next. If the device and the indoor station are in the same LAN, the device will be displayed in the list. Tap the device or enter the serial No. to link.
  - a. Tap the door station in the list to link.
  - b. Tap the settings icon to pop up the Network Settings page.
  - c. Edit the network parameters of the door station manually or enable DHCP to get the network parameters automatically.
  - d. Optional: Enable Synchronize Language to synchronize the Language of door station with indoor station.
  - e. Tap OK to save the settings.
5. Tap Finish to save the settings.

● The power supply must conform to LPS. The recommended adaptor models and manufacturers are shown as below. Use the attached adaptor, and do not change the adaptor randomly.

Model	Current	Manufacturer	Standard
MSA-C1500CS24.0-40W-DE	1.5A	MOSO POWER SUPPLY TECHNOLOGY CO.,LTD	CE
ADS-40FS-1924036PG	1.5A	SHENZHEN HONOR ELECTRONIC CO.,LTD	CE

★ Refer to Video Intercom Indoor Station Configuration Guide (scan the QR code) for details.

★ Refer to Video Intercom Indoor Station Operation Guide (scan the QR code) for details.

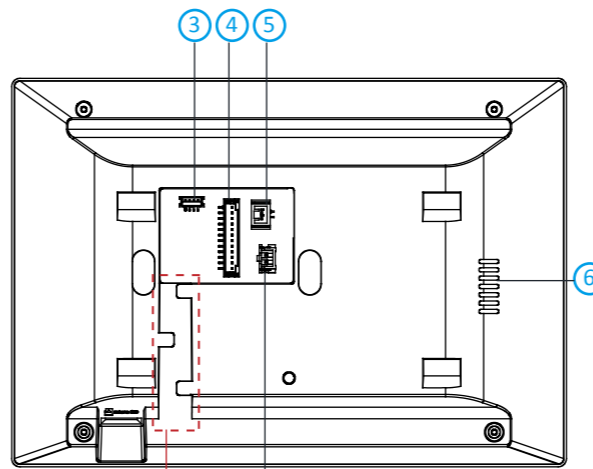
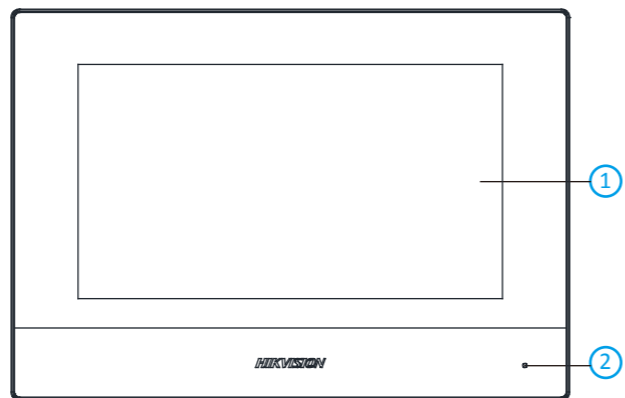
Scan the QR code to get the configuration guide for detailed information.



Scan the QR code to get the operation guide for detailed information.

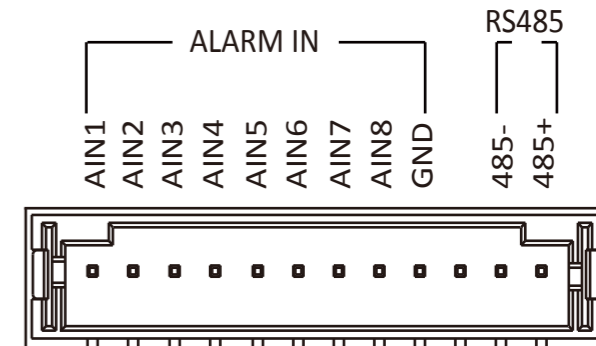


1

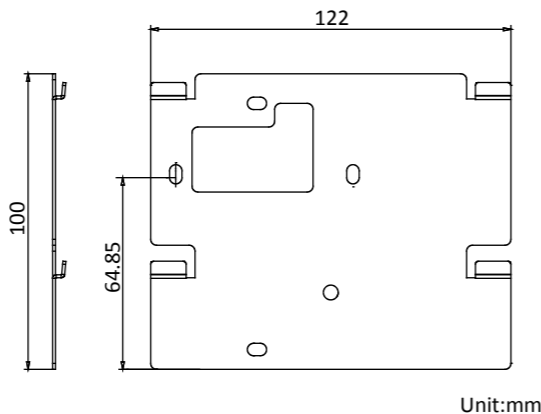


Note: Do not wire the cables through the cable hole (red area) when installing the device with gang box.

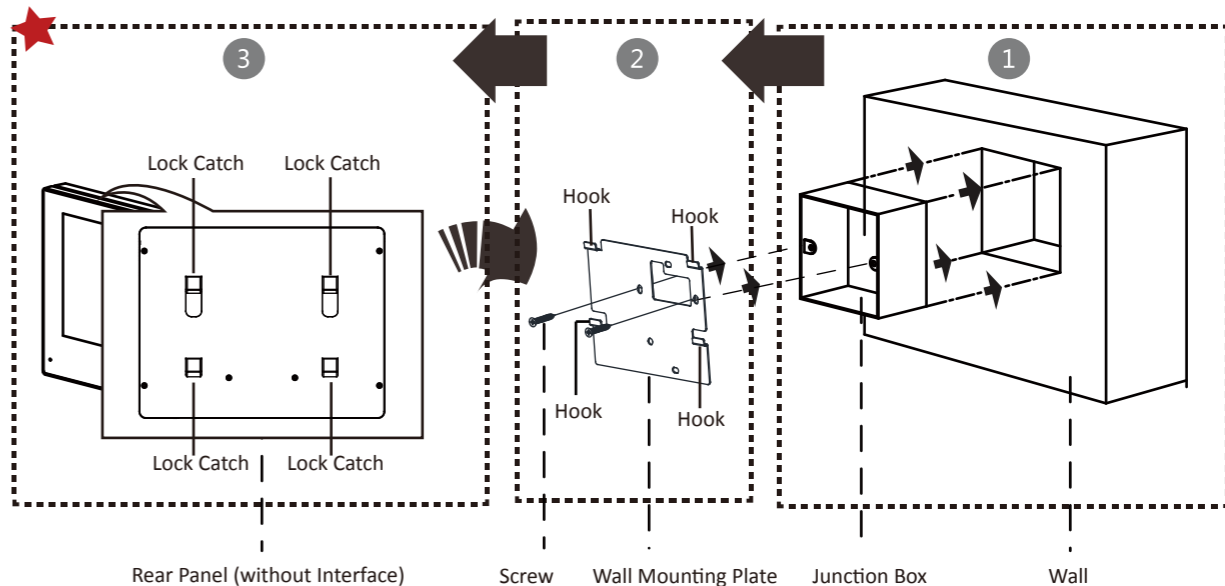
2



3



Unit:mm



### Safety Instruction

#### ⚠ Warnings

- All the electronic operation should be strictly compliance with the electrical safety regulations, fire prevention regulations and other related regulations in your local region.
- Please use the power adaptor, which is provided by normal company. The power consumption cannot be less than the required value.
- Do not connect several devices to one power adapter as adapter overload may cause over-heat or fire hazard.
- Please make sure that the power has been disconnected before you wire, install or dismantle the device.
- When the product is installed on wall or ceiling, the device shall be firmly fixed.
- If smoke, odors or noise rise from the device, turn off the power at once and unplug the power cable, and then please contact the service center.
- If the product does not work properly, please contact your dealer or the nearest service center. Never attempt to disassemble the device yourself. (We shall not assume any responsibility for problems caused by unauthorized repair or maintenance.)

#### ⚠ Cautions

- Do not drop the device or subject it to physical shock, and do not expose it to high electromagnetic radiation. Avoid the equipment installation on vibrations surface or places subject to shock (ignorance can cause equipment damage).
- Do not place the device in extremely hot (refer to the specification of the device for the detailed operating temperature), cold, dusty or damp locations, and do not expose it to high electromagnetic radiation.
- The device cover for indoor use shall be kept from rain and moisture.
- Exposing the equipment to direct sun light, low ventilation or heat source such as heater or radiator is forbidden (ignorance can cause fire danger).
- Do not aim the device at the sun or extra bright places. A blooming or smear may occur otherwise (which is not a malfunction however), and affecting the endurance of sensor at the same time.
- Please use the provided glove when open up the device cover, avoid direct contact with the device cover, because the acidic sweat of the fingers may erode the surface coating of the device cover.
- Please use a soft and dry cloth when clean inside and outside surfaces of the device cover, do not use alkaline detergents.
- Please keep all wrappers after unpack them for future use. In case of any failure occurred, you need to return the device to the factory with the original wrapper. Transportation without the original wrapper may result in damage on the device and lead to additional costs.
- Improper use or replacement of the battery may result in hazard of explosion. Replace with the same or equivalent type only. Dispose of used batteries according to the instructions provided by the battery manufacturer.

### Consignes de sécurité

#### ⚠ Avertissements :

- Tous les éléments électroniques doivent respecter à la lettre la réglementation locale sur la sécurité des installations électriques, sur la prévention des incendies et des réglementations connexes en vigueur.
- Utilisez un adaptateur fourni par une entreprise agréée. La consommation électrique ne doit pas être inférieure à la valeur exigée.
- Ne branchez pas plusieurs appareils sur un même adaptateur ; toute surcharge de l'adaptateur pouvant entraîner sa surchauffe ou provoquer un incendie.
- Veillez à bien déconnecter la source d'alimentation avant de câbler, installer ou démonter l'appareil.
- Lors de l'installation au mur ou au plafond, assurez-vous que l'appareil est bien fixé.
- Si l'appareil dégage de la fumée ou une odeur suspecte, ou s'il émet des bruits inhabituels, éteignez-le et débranchez le câble d'alimentation, puis contactez le SAV.
- Si le produit ne fonctionne pas correctement, contactez votre revendeur ou le SAV le plus proche. Vous ne devez en aucun cas essayer de démonter le produit vous-même. (Nous déclinons toute responsabilité en cas de problèmes découlant d'une intervention ou d'une réparation effectuée sans autorisation.)

#### ⚠ Précautions

- Évitez de faire tomber l'appareil, de le heurter et de l'exposer à des rayonnements électromagnétiques de forte intensité. Évitez d'installer l'équipement sur des surfaces vibrantes ou à des emplacements subissant des chocs fréquents (au risque de l'endommager).
- N'installez pas l'appareil à un emplacement trop chaud ou trop froid (reportez-vous à la spécification de l'appareil pour connaître la température de fonctionnement précise), poussiéreux ou humide. Ne l'exposez pas non plus à des rayonnements électromagnétiques élevés.
- Le capot de l'appareil pour installation intérieure ne doit pas être exposé à la pluie, ni à l'humidité.
- Il est formellement interdit d'exposer l'équipement directement au soleil, à un environnement mal ventilé ou à une source de chaleur telle qu'une chaudière ou un radiateur (au risque de provoquer un incendie).
- N'orientez pas l'appareil vers le soleil ou des sources de lumière très vive. Dans le cas contraire, un voile ou des traînées risquent de se former (ce qui ne constitue toutefois pas un dysfonctionnement) et la résistance du capteur peut également être affectée.
- Utilisez le gant fourni pour ouvrir le capot du dôme et évitez tout contact direct avec celui-ci, l'acidité de la sudation des doigts pouvant éroder le revêtement du capot de l'appareil.
- Utilisez un chiffon doux et sec pour nettoyer les surfaces intérieures et extérieures du capot de l'appareil. N'utilisez pas de détergents alcalins.
- Conservez tous les emballages ; ils pourront vous resservir ultérieurement. En cas de panne, renvoyez l'appareil à l'usine dans son emballage d'origine. Si l'appareil est transporté hors de son emballage d'origine, il risque d'être abîmé, entraînant des frais supplémentaires.
- Une mauvaise utilisation de la batterie ou un remplacement erroné peut entraîner un risque d'explosion. Ne la remplacez que par une batterie identique ou de type équivalent. Mettez les batteries usagées au rebut conformément aux instructions du fabricant.

### Product Information

©2019 Hangzhou Hikvision Digital Technology Co., Ltd. It includes instructions on how to use the Product. The software embodied in the Product is governed by the user license agreement covering that Product.

About this Manual  
This Manual is subject to domestic and international copyright protection. Hangzhou Hikvision Digital Technology Co., Ltd. ("Hikvision") reserves all rights to this manual. This manual cannot be reproduced, changed, translated, or distributed, partially or wholly, by any means, without the prior written permission of Hikvision.

Trademarks  
Hikvision and other Hikvision marks are the property of Hikvision and are registered trademarks or the subject of applications for the same by Hikvision and/or its affiliates. Other trademarks mentioned in this manual are the properties of their respective owners. No right of license is given to use such trademarks without express permission.

Legal Disclaimer  
TO THE MAXIMUM EXTENT PERMITTED BY APPLICABLE LAW, THE PRODUCT DESCRIBED, WITH ITS HARDWARE, SOFTWARE AND FIRMWARE, IS PROVIDED "AS IS", WITH ALL FAULTS AND ERRORS, AND HIKVISION MAKES NO WARRANTIES, EXPRESS OR IMPLIED, INCLUDING WITHOUT LIMITATION, MERCHANTABILITY, SATISFACTORY QUALITY, FITNESS FOR A PARTICULAR PURPOSE, AND NON-INFRINGEMENT OF THIRD PARTY. IN NO EVENT WILL HIKVISION, ITS DIRECTORS, OFFICERS, EMPLOYEES, OR AGENTS BE LIABLE TO YOU FOR ANY SPECIAL, CONSEQUENTIAL, INCIDENTAL, OR INDIRECT DAMAGES, INCLUDING, AMONG OTHERS, DAMAGES FOR LOSS OF BUSINESS PROFITS, BUSINESS INTERRUPTION, OR LOSS OF DATA OR DOCUMENTATION, IN CONNECTION WITH THE USE OF THIS PRODUCT, EVEN IF HIKVISION HAS BEEN ADVISED OF THE POSSIBILITY OF SUCH DAMAGES. REGARDING TO THE PRODUCT WITH INTERNET ACCESS, THE USE OF PRODUCT SHALL BE WHOLLY AT YOUR OWN RISKS. HIKVISION SHALL NOT TAKE ANY RESPONSIBILITIES FOR ABNORMAL OPERATION, PRIVACY LEAKAGE OR OTHER DAMAGES RESULTING FROM CYBER ATTACK, HACKER ATTACK, VIRUS INSPECTION, OR OTHER INTERNET SECURITY RISKS; HOWEVER, HIKVISION WILL PROVIDE TIMELY TECHNICAL SUPPORT IF REQUIRED. SURVEILLANCE LAWS VARY BY JURISDICTION. PLEASE CHECK ALL RELEVANT LAWS IN YOUR JURISDICTION BEFORE USING THIS PRODUCT IN ORDER TO ENSURE THAT YOUR USE CONFORMS THE APPLICABLE LAW. HIKVISION SHALL NOT BE LIABLE IN THE EVENT THAT THIS PRODUCT IS USED WITH ILLEGITIMATE PURPOSES. IN THE EVENT OF ANY CONFLICTS BETWEEN THIS MANUAL AND THE APPLICABLE LAW, THE LATER PREVAILS.

Data Protection  
During the use of device, personal data will be collected, stored and processed. To protect data, the development of Hikvision devices incorporates privacy by design principles. For example, for device with facial recognition features, biometrics data is stored in your device with encryption method; for fingerprint device, only fingerprint template will be saved, which is impossible to reconstruct a fingerprint image. As data controller, you are advised to collect, store, process and transfer data in accordance with the applicable data protection laws and regulations, including without limitation, conducting security controls to safeguard personal data, such as, implementing reasonable administrative and physical security controls; conduct periodic reviews and assessments of the effectiveness of your security controls.















# DS-KIS703-P

Video Intercom Two-Wire Bundle

## DS-KV8103-IMPE2

Σταθμός πόρτας βίλας ενδοεπικοινωνίας βίντεο

### ΕΛΛΗΝΙΚΑ

#### 1 Εμφάνιση

- 1 Μικρόφωνο
- 2 Ένδειξη κλήσης
- 3 Ένδειξη ομιλίας
- 4 Ένδειξη ανοικτής πόρτας
- 5 Ενωματωμένη κάμερα
- 6 Λυχνία συμπληρωματικού φωτισμού
- 7 Ηχείο
- 8 ΠΑΡΑΠΟΙΗΣΗ
- 9 Κουμπί κλήσης

#### 2 Τερματικά

- Α1 NC1: Κανονικά κλειστό
- Α2 NO1: Κανονικά ανοικτό
- Α3 COM: Κοινή διεπαφή
- Α4 NC2: Κανονικά κλειστό
- Α5 NO2: Κανονικά ανοικτό
- Α6 GND: Γείωση
- Α7 AIN2: Είσοδος συναγερμού 2
- Α8 AIN1: Είσοδος συναγερμού 1
- Α9 ΕΞΟΔΟΣ 12V: Έξοδος ρεύματος για κλειδαριά
- Α10 GND: Γείωση
- Α11 2 ΚΑΛΩΔΙΑ: Καλώδιο προς εσωτερικό σταθμό

#### 3 Εγκατάσταση

Για την εγκατάσταση του σταθμού πόρτας στον τοίχο, πρέπει να χρησιμοποιήσετε αντίστοιχο κουτί.

Οι διαστάσεις του κουτιού φαίνονται στην εικόνα.

Ο σταθμός πόρτας υποστηρίζει τοποθέτηση στην επιφάνεια αλλά και εντοιχισμένη τοποθέτηση.

Πριν ξεκινήσετε:

- Βεβαιωθείτε ότι η συσκευή στη συσκευασία βρίσκεται σε καλή κατάσταση και ότι περιλαμβάνονται όλα τα εξαρτήματα συναρμολόγησης.
- Βεβαιωθείτε ότι όλος ο σχετικός εξοπλισμός είναι απενεργοποιημένος κατά τη διάρκεια της εγκατάστασης.
- Ελέγξτε τις προδιαγραφές προϊόντος για το περιβάλλον εγκατάστασης.
- Συνδέστε τα καλώδια με τον σταθμό πόρτας πριν την τοποθέτηση.

#### ★Τοποθέτηση στην επιφάνεια με κουτί

- Βγάλτε το κουτί και τις βίδες από τη συσκευασία.
- Στερεώστε το κουτί πάνω στον τοίχο με τις 4 βίδες.
- Τοποθετήστε τον σταθμό πόρτας μέσα στο κουτί και στερεώστε τον με 4 βίδες.

#### ★Εντοιχισμένη τοποθέτηση με κουτί.

- Ανοίξτε την οπή εγκατάστασης και τραβήξτε έξω το καλώδιο.

**Σημείωση:** Οι προτεινόμενες διαστάσεις της οπής εγκατάστασης είναι 103,5 mm × 162,5 mm × 40,5 mm.

- Βάλτε το κουτί μέσα στην οπή με 4 βίδες.

- Τοποθετήστε τον σταθμό πόρτας μέσα στο κουτί και στερεώστε τον με 4 βίδες.

#### 4 Ξεκινώντας

Συνδέστε τον σταθμό πόρτας με τον εσωτερικό σταθμό με καλώδια 2 θυμάτων. Μπορείτε να ενεργοποιήσετε τον σταθμό πόρτας από τον εσωτερικό σταθμό. Ρυθμίστε την ανοικτή διάρκεια και άλλες παραμέτρους από τον εσωτερικό σταθμό. Ανατρέξτε στον Οδηγό ρύθμισης παραμέτρων εσωτερικού σταθμού για λεπτομέρειες. Στην εικόνα παρουσιάζεται η εφαρμογή της συσκευής.

#### 5 Λειτουργία ενδοεπικοινωνίας βίντεο

Μπορείτε να καλέσετε τον ένοικο πατώντας το κουμπί κλήσης.

- Πατήστε το κουμπί κλήσης του σταθμού πόρτας.
- Ο ένοικος μπορεί να δεχθεί/αρνηθεί την βιντεοκλήση, να ξεκλειδώσει την πόρτα, κ.λπ.
**Σημείωση:**
  - Όταν πραγματοποιηθεί η ενδοεπικοινωνία βίντεο ανάμεσα σε εσάς και τον ένοικο, μπορείτε να μιλήσετε μαζί του και η ζωντανή προβολή του σταθμού πόρτας θα εμφανίζεται στον συνδεδεμένο εσωτερικό σταθμό.
  - Όταν ο σταθμός της πόρτας καλέι τον ένοικο, ο σταθμός πόρτας ανιχνεύει αυτόματα τη φωτεινότητα του βίντεο. Όταν η φωτεινότητα είναι χαμηλότερη από το αναμενόμενο όριο, ενεργοποιείται η λυχνία συμπληρωματικού φωτισμού.
  - Όταν ενεργοποιείται η λυχνία συμπληρωματικού φωτισμού, ενεργοποιείται αυτόματα ο οπίσθιος φωτισμός των πληκτρών. Διαφορετικά, ο σταθμός ανιχνεύει τη φωτεινότητα της ζωντανής προβολής και ενεργοποιεί τον οπίσθιο φωτισμό των πληκτρών, όταν η φωτεινότητα της ζωντανής προβολής είναι χαμηλότερη από το αναμενόμενο όριο.

#### ★ Ανατρέξτε στο Εγχειρίδιο χρήσης σταθμού πόρτας ενδοεπικοινωνίας βίντεο (σαρώστε τον κωδικό QR) για λεπτομέρειες.

<div> <div><span>Ρυθμιστικές πληροφορίες</span></div> <div><span>Πληροφορίες FCC</span></div> </div>
<div> <p>Έχετε υπόψη ότι αλλαγές ή τροποποιήσεις που δεν εγκρίνονται ρητά από την αρμόδια αρχή συμμόρφωσης ενδέχεται να ακυρώσουν την εξουσιοδότηση του χρήστη να χρησιμοποιεί τον εξοπλισμό.</p> <p>Συμμόρφωση FCC: Ο εξοπλισμός έχει δοκιμαστεί και βρεθεί σύμφωνος με τα όρια ψηφιακής συσκευής Κατηγορίας Β, σύμφωνα με το μέρος 15 των Κανόνων FCC. Αυτά τα όρια έχουν σχεδιαστεί για να παρέχουν εύλογη προστασία από βλαβερές παρεμβολές ακουστική εγκατάσταση. Ο παρών εξοπλισμός παράγει, χρησιμοποιεί και μπορεί να εκπέμψει ενέργεια ραδιοσυχνοτήτων και, εάν δεν εγκαθίσταται και δεν χρησιμοποιείται σύμφωνα με τις οδηγίες, ενδέχεται να προκαλέσει βλαβερές παρεμβολές σε ραδιοεπικοινωνίες. Ωστόσο, δεν υπάρχει εγγύηση απουσίας παρεμβολών σε μια συγκεκριμένη εγκατάσταση. Εάν ο εξοπλισμός προκαλέσει βλαβερές παρεμβολές στη λήψη ραδιοφώνου ή τηλεόρασης, γεγονός που μπορεί να επιβεβαιωθεί ενεργοποιώντας και απενεργοποιώντας τον εξοπλισμό, ο χρήστης μπορεί να προσπαθήσουν να διορθώσουν το πρόβλημα με ένα ή περισσότερα από τα παρακάτω μέτρα:</p> <ul style="list-style-type: none"><li>Επαναπροσανατολίστε ή αλλάξτε θέση στην κεραία λήψης.</li> <li>Αυξήστε την απόσταση ανάμεσα στον εξοπλισμό και τον δέκτη.</li> <li>Συνδέστε τον εξοπλισμό σε πρίζα διαφορετικού κυκλώματος από αυτό στο οποίο είναι συνδεδεμένος ο δέκτης.</li></ul> <p>— Επικοινωνήστε με τον πωλητή για αναζήτηση πεπειραμένου τεχνικού ραδιοφώνων/τηλεόρασης.</p> </div>
<div> <p>Όροι FCC</p> <p>Η παρούσα συσκευή είναι σύμφωνη με το μέρος 15 των Κανόνων FCC. Η λειτουργία υπόκειται στους παρακάτω δύο όρους:</p> <ol style="list-style-type: none"><li>Η παρούσα συσκευή δεν επιτρέπεται να προκαλεί βλαβερές παρεμβολές.</li> <li>Η παρούσα συσκευή πρέπει να αποδέχεται τυχόν λαμβανόμενες παρεμβολές, συμπεριλαμβανομένων αυτών που ενδέχεται να προκαλέσουν ανεπιθύμητη λειτουργία.</li></ol> <p>Το προϊόν και - όπου ισχύει - τα παρεχόμενα εξαρτήματα φέρουν τη σήμανση «CE» και άρα είναι σύμφωνα με τα ισχύοντα εναρμονισμένα ευρωπαϊκά πρότυπα που αναφέρονται στην Οδηγία RE 2014/53/ΕΕ, την Οδηγία EMC 2014/30/ΕΕ, την Οδηγία LVD 2014/35/ΕΕ, την Οδηγία RoHS 2011/65/ΕΕ.</p> <p>2012/19/ΕΕ (Οδηγία WEEE): Τα προϊόντα που φέρουν το συγκεκριμένο σύμβολο δεν επιτρέπεται να απορρίπτονται με τα μη ταξινομημένα δημοτικά απόβλητα στην Ευρωπαϊκή Ένωση. Για σωστή ανακύκλωση, επιστρέψτε το προϊόν στον τοπικό προμηθευτή, κατά την αγορά αντίστοιχου νέου εξοπλισμού ή απορρίψτε το σε ειδικευμένα σημεία συλλογής. Για περισσότερες πληροφορίες: <a href="http://www.recyclethis.info">www.recyclethis.info</a></p> <p>2006/66/ΕΚ (Οδηγία περί μπαταριών): Το παρόν προϊόν περιέχει μπαταρία η οποία δεν επιτρέπεται να απορρίπτεται με τα μη ταξινομημένα δημοτικά απόβλητα στην Ευρωπαϊκή Ένωση. Ανατρέξτε στην τεκμηρίωση του προϊόντος για συγκεκριμένες πληροφορίες μπαταρίας. Η μπαταρία φέρει το συγκεκριμένο σύμβολο, το οποίο ενδέχεται να περιλαμβάνει γράμματα που υποδηλώνουν την παρουσία καδμίου (Cd), μολύβδου (Pb) ή υδραργύρου (Hg). Για σωστή ανακύκλωση, επιστρέψτε την μπαταρία στον προμηθευτή σας ή σε ειδικευμένο σημείο συλλογής. Για περισσότερες πληροφορίες: <a href="http://www.recyclethis.info">www.recyclethis.info</a></p> </div>

## DS-KV8103-IMPE2

Video-interfon modul za vrata vile

### SRPSKI

#### 1 Izgled

- 1 Μικροφον
- 2 Indikator pozivanja
- 3 Indikator govora
- 4 Indikator otvorenih vrata
- 5 Ugrađena kamera
- 6 Dodatno svetlo
- 7 Zvučnik
- 8 TAMPER
- 9 Taster Pozivanje

#### 2 Kleme

- Α1 NC1 : Pravilno zatvoreno
- Α2 NO1 : Pravilno otvoreno
- Α3 COM : Zajednički interfejs
- Α4 NC2 : Pravilno zatvoreno
- Α5 NO2 : Pravilno otvoreno
- Α6 GND : Uzemljenje
- Α7 AIN2 : Ulaz za alarm 2
- Α8 AIN1 : Ulaz za alarm 1
- Α9 12V OUT : Izlazno napajanje za zaključavanje
- Α10 GND : Uzemljenje
- Α11 2-WIRE : Žica za unutrašnji modul
- Α6 GND : Uzemljenje

#### 3 Montaža

Za postavljanje modula za vrata na zid, potrebno je da upotrebite odgovarajuću kutiju.

Prikazane su dimenzije kutije.

Modul za vrata se postavlja na površinu i ugrađuje.

Pre nego što počnete:

- Proverite da li je proizvod koji ste izvadili iz ambalaže u dobrom stanju i da li pakovanje sadrži sve elemente neophodne za sklapanje.
- Vodite računa da sva relevantna oprema bude isključena prilikom montaže.
- U specifikacijama proizvoda proverite neophodne parametre sredine za postavljanje.
- Pre postavljanja povežite kablove na modul za vrata.

#### ★Postavljanje na površinu sa kutijom

- Izvadite kutiju i vijke iz ambalaže.
- Pričvrstite kutiju na zid pomoću 4 vijka.
- Montirajte modul za vrata u kutiju i pričvrstite ga uz pomoć 4 vijka.

#### ★Ugradnja na površinu sa kutijom

- Izbušite otvor u zidu i provucite kablove.
- Umetnite kutiju u rupu pomoću 4 vijka.
- Montirajte modul za vrata u kutiju i pričvrstite ga uz pomoć 4 vijka.

#### 4 Početak rada

Modul za vrata povežite sa unutrašnjim modulom dvožičnim kablovima.

Modul za vrata možete aktivirati pomoću unutrašnjeg modula.

Pomoću unutrašnjeg modula podesite vreme trajanja otvorenih vrata i druge parametre.

Više informacija potražite u vodiču za unutrašnji modul.

Prikazana je primena uređaja.

#### 5 Operacije video-interfona

Možete pozvati stanara pritiskom na taster Pozivanje.

- Pritisnite taster Pozivanje na modulu za vrata.
- Stanar može primiti/odbiti video poziv, otključati vrata itd.

**Napomena:**

- Kada je uspostavljen video-interfon između vas i stanara, možete razgovarati sa stanarom, a prikaz uživo modula za vrata ce biti prikazan na povezanom unutrašnjem modulu.**
- Kada modul za vrata poziva stanara, modul za vrata ce automatski utvrditi osvetljenost video zapisa. Kada je osvetljenost manja od očekivane norme, biće omogućeno dodatno svetlo.**
- Kada je omogućeno dodatno svetlo, pozadinsko svetlo tastera ce biti automatski omogućeno, u suprotnom, modul za vrata ce utvrditi osvetljenost prikaza uživo i omogućiti pozadinsko svetlo tastera kada je osvetljenost prikaza uživo niža od očekivane norme.**

#### ★ Više informacija potražite u korisničkom uputstvu za video-interfon modul za vrata vile (skenirajte QR kôd).

<div> <div><span>Informacije o zakonima i propisima</span></div> <div><span>Informacije o FCC</span></div> </div>
<div> <p>Imajte na umu da izmene koje nisu izričito odobrene od tela odgovornog za usaglašenost mogu poništiti korisnikovo odobrenje da koristi opremu.</p> <p>Usklađenost sa FCC: Ova oprema je testirana i utvrđeno je da je u granicama za digitalne uređaje klase B, u skladu s odeljkom 15 Pravilnika za FCC. Te granice su predviđene da pruže razumnu zaštitu od štetnih smetnji pri montaži u stambenim jedinicama. Ova oprema generiše, koristi i odašilje radiofrekventnu energiju koja, ako uređaj nije propisno montiran i ako se ne koristi prema uputstvima, može izazvati štetne smetnje u radio-komunikaciji. Takođe, nije moguće garantovati da se smetnje neće javiti u slučaju svake pojedinačne montaže. Ako oprema stvara štetne smetnje pri prijemu radio i TV signala, što možete utvrditi isključivanjem i uključivanjem opreme, korisnik je ohrabren da pokuša da otkloni smetnje primenom jedne ili više mera:</p> <ul style="list-style-type: none"><li>— Pomerite ili premetstite antenu prijemnika.</li> <li>— Povećajte razdaljinu između opreme i prijemnika.</li> <li>— Uključite opremu u utičnicu koja nije na istom kolu kao i prijemnik.</li> <li>— Posavetujte se s prodavcem ili iskusnim radio/TV tehničarom.</li></ul> <p>Uslovi FCC-a</p> <p>Ovaj uređaj je usklađen sa odeljkom 15 Pravilnika za FCC. Korišćenje mora da bude usklađeno sa sledeća dva uslova:</p> <ol style="list-style-type: none"><li>Ovaj uređaj ne sme da izaziva štetne smetnje.</li> <li>Ovaj uređaj mora da prihvata dolazne smetnje, uključujući smetnje koje mogu da dovedu do neželjenog rada.</li></ol> </div>
<div> <div><span>CE</span></div> </div>
<div> <p>Ovaj proizvod i obezbeđena dodatna oprema (ako je to primenljivo) obeleženi su oznakom CE, što označava da su usaglašeni s važećim usklađenim Evropskim standardima navedenim u direktivama: RE 2014/53/EU, EMC 2014/30-EU, LVD 2014/35/EU i RoHS 2011/65/EU</p> </div>
<div> <p>2012/19/EU (Direktiva za otpadnu električnu i elektronsku opremu): Proizvodi koji poseduju ovaj simbol ne smeju da se odlazu kao neklasirani komunalni otpad u Evropskoj uniji. Da bi bio pravilno recikliran, vratite ovaj proizvod lokalnom distributeru kada kupite ekvivalentni novi ili ga odnesite na zvanično reciklažno prikupljalište. Za više informacija posetite: <a href="http://www.recyclethis.info">www.recyclethis.info</a></p> </div>
<div> <p>2006/66/EC (direktiva za baterije): Ovaj proizvod sadrži bateriju koja ne sme da se odlaze kao neklasirani komunalni otpad u Evropskoj uniji. Konkretnе informacije o bateriji potražite u dokumentaciji proizvoda. Baterija poseduje ovaj simbol, na kom mogu da se nađu slovne oznake koje označavaju prisustvo kadmijuma (Cd), olova (Pb) ili žive (Hg). Da bi bila pravilno reciklirana, vratite bateriju dobavljaču ili je odnesite na zvanično reciklažno prikupljalište. Za više informacija posetitte: <a href="http://www.recyclethis.info">www.recyclethis.info</a></p> </div>

## DS-KH6320-WTPE2

Εσωτερικός σταθμός ενδοεπικοινωνίας βίντεο δύο καλωδίων

### ΕΛΛΗΝΙΚΑ

#### Αναφορές διαγράμματος

#### 1 Εμφάνιση

① Οθόνη
② Μικρόφωνο
③ Θύρα αντιμετώπισης σφαλμάτων
④ Τερματικό
⑤ Διεπαφή δύο καλωδίων
⑥ Ηχείο
⑦ Διεπαφή τροφοδοσίας συναγερμού
Σημείωση: Η θύρα αντιμετώπισης σφαλμάτων χρησιμοποιείται μόνο για την αντιμετώπιση σφαλμάτων.

#### 2 Καλωδίωση

AIN1: Είσοδος συναγερμού 1	AIN7: Είσοδος συναγερμού 7
AIN2: Είσοδος συναγερμού 2	AIN8: Είσοδος συναγερμού 8
AIN3: Είσοδος συναγερμού 3	GND: Γείωση
AIN4: Είσοδος συναγερμού 4	485-: Διεπαφή RS-485
AIN5: Είσοδος συναγερμού 5	485+: Διεπαφή RS-485
AIN6: Είσοδος συναγερμού 6	

Σημείωση: Η περιγραφή καλωδίωσης αναφέρεται στο Εγχειρίδιο χρήσης.

#### 3 Εγκατάσταση

Η πλακέτα τοποθέτησης στον τοίχο και το κουτί σύνδεσης απαιτούνται για την εγκατάσταση του εσωτερικού σταθμού στον τοίχο.

Το κουτί σύνδεσης πρέπει να έχει διαστάσεις 75 mm (πλάτος) × 75 mm (μήκος) × 50 mm (βάθος).

Οι διαστάσεις της πλακέτας τοποθέτησης στον τοίχο υποδεικνύονται.

Πριν ξεκινήσετε:

- Βεβαιωθείτε ότι η συσκευή στη συσκευασία βρίσκεται σε καλή κατάσταση και ότι περιλαμβάνονται όλα τα εξαρτήματα συναρμολόγησης.
- Το τροφοδοτικό που υποστηρίζει ο εσωτερικός σταθμός είναι 12 VDC. Βεβαιωθείτε ότι το τροφοδοτικό σας αντιστοιχεί στον εσωτερικό σταθμό.
- Βεβαιωθείτε ότι όλος ο σχετικός εξοπλισμός είναι απενεργοποιημένος κατά τη διάρκεια της εγκατάστασης.
- Ειλέγξτε τις προδιαγραφές προϊόντος για το περιβάλλον εγκατάστασης.
- Δείτε εδώ ένα παράδειγμα τοποθέτησης στον τοίχο με κουτί σύνδεσης.

#### ★Τοποθέτηση στον τοίχο με κουτί σύνδεσης

- Ανοίξτε μια οπή στον τοίχο. Η οπή πρέπει να έχει διαστάσεις 76 mm (πλάτος) × 76 mm (μήκος) × 50 mm (βάθος).
- Τοποθετήστε το κουτί σύνδεσης στην οπή που ανοίξατε στον τοίχο.
- Στερεώστε την πλακέτα τοποθέτησης στον τοίχο στο κουτί σύνδεσης με 2 βίδες.
- Αναρτήστε τον εσωτερικό σταθμό στην πλακέτα τοποθέτησης στον τοίχο περνώντας τα άγκιστρα της πλακέτας στις υποδοχές στο πίσω πλαίσιο του εσωτερικού σταθμού, όπου ο μηχανισμός ασφάλισης κλειδώνει αυτόματα.

#### ★Τοποθέτηση στον τοίχο χωρίς κουτί σύνδεσης

- Τοποθετήστε 2 σωλήνες επέκτασης στον τοίχο.
- Στερεώστε την πλακέτα τοποθέτησης στον τοίχο με 2 βίδες.
- Αναρτήστε τον εσωτερικό σταθμό στην πλακέτα τοποθέτησης στον τοίχο περνώντας τα άγκιστρα της πλακέτας στις υποδοχές στο πίσω πλαίσιο του εσωτερικού σταθμού, όπου ο μηχανισμός ασφάλισης κλειδώνει αυτόματα.

#### 4 Ξεκινώντας

#### 1 Ενεργοποίηση του εσωτερικού σταθμού

Θα πρέπει να ενεργοποιήσετε αρχικά τη συσκευή ορίζοντας έναν ισχυρό κωδικό πρόσβασης πριν τη χρήση της συσκευής.

- Ενεργοποιήστε τη συσκευή. Θα ανοίξει αυτόματα η σελίδα ενεργοποίησης.
- Δημιουργήστε έναν κωδικό πρόσβασης και επιβεβαιώστε τον.
- Πατήστε OK για να ενεργοποιήσετε τον εσωτερικό σταθμό.

Σημείωση: Συνιστούμε να δημιουργήσετε έναν ισχυρό κωδικό πρόσβασης της επιλογής σας (ο οποίος θα περιέχει τουλάχιστον 8 χαρακτήρες από τουλάχιστον τρεις από τις ακόλουθες κατηγορίες: κεφαλαία γράμματα, πεζά γράμματα, αριθμούς και ειδικούς χαρακτήρες) για να ενισχύσετε την ασφάλεια του προϊόντος σας. Επίσης, συνιστάται να πραγματοποιείτε τακτικά επαναφορά του κωδικού πρόσβασής σας. Ειδικά στο σύστημα υψηλής ασφάλειας, μπορείτε να προστατεύσετε καλύτερα το προϊόν σας πραγματοποιώντας επαναφορά του κωδικού πρόσβασης σε μηνιαία ή εβδομαδιαία βάση.

#### 2 Γρήγορη ρύθμιση παραμέτρων

- Επιλέξτε Γλώσσα και πατήστε Επόμενο.
- Ρυθμίστε τις παραμέτρους δικτύου και πατήστε Επόμενο.
  - Επεξεργαστείτε τις παραμέτρους Τοπική διεύθυνση IP, Μάσκα υποδικτύου και Πύλη.
  - Ενεργοποιήστε την επιλογή DHCP και η συσκευή θα λάβει αυτόματα τις παραμέτρους δικτύου.
- Ρυθμίστε τις παραμέτρους του εσωτερικού σταθμού και πατήστε Επόμενο.
  - Επιλέξτε τύπο εσωτερικού σταθμού.
  - Επεξεργαστείτε τον όροφο και τον αριθμό αίθουσας.
- Συνδέστε τις σχετικές συσκευές και πατήστε Επόμενο. Αν η συσκευή και ο εσωτερικός σταθμός βρίσκονται στο ίδιο LAN, η συσκευή θα εμφανιστεί στη λίστα. Αγγίξτε τη συσκευή ή εισαγάγετε τον αρ. σειράς για σύνδεση.
  - Αγγίξτε το σταθμό πόρτας στη λίστα για σύνδεση.
  - Αγγίξτε το εικονίδιο ρυθμίσεων για να ανοίξει η σελίδα Ρυθμίσεις δικτύου.
  - Επεξεργαστείτε τις παραμέτρους δικτύου του σταθμού πόρτας μη αυτόματα ή ενεργοποιήστε την επιλογή DHCP για αυτόματη λήψη των παραμέτρων δικτύου.
  - Προαιρετικά: Ενεργοποιήστε την επιλογή Συγχρονισμός γλώσσας για συγχρονισμό της γλώσσας του σταθμού πόρτας με τον εσωτερικό σταθμό.
  - Αγγίξτε OK για αποθήκευση των ρυθμίσεων.
- Αγγίξτε Τέλος για αποθήκευση των ρυθμίσεων.

★ Ανατρέξτε στον Οδηγό ρύθμισης παραμέτρων εσωτερικού σταθμού ενδοεπικοινωνίας βίντεο (σαρώστε τον κωδικό QR) για λεπτομέρειες.

✳ Ανατρέξτε στον Οδηγό λειτουργίας εσωτερικού σταθμού ενδοεπικοινωνίας βίντεο (σαρώστε τον κωδικό QR) για λεπτομέρειες.

## DS-KH6320-WTPE2

Dvoičiční unutrašnji modul za video-interfon

### SRPSKI

#### Reference dijagrama

#### 1 Izgled

① Ekran
② Mikrofon
③ Port za otkrivanje grešaka
④ Klema alarma
⑤ Dvoičični interfejs
⑥ Zvučnik
⑦ Priključak za napajanje

Napomena: Port za otkrivanje grešaka se koristi samo za otkrivanje grešaka.

#### 2 Povezivanje instalacija

AIN1: Ulaz za alarm 1	AIN7: Ulaz za alarm 7
AIN2: Ulaz za alarm 2	AIN8: Ulaz za alarm 8
AIN3: Ulaz za alarm 3	GND: Uzemljenje
AIN4: Ulaz za alarm 4	485-: Priključak RS-485
AIN5: Ulaz za alarm 5	485+: Priključak RS-485
AIN6: Ulaz za alarm 6	

Napomena: Opis povezivanja žica odnosi se na korisničko uputstvo.

#### 3 Montaža

Za postavljanje unutrašnjeg modula na zid, potrebni su ploča za postavljanje na zid i razvodna kutija.

Dimenzije razvodne kutije treba da budu 75 mm (širina) × 75 mm (dužina) × 50 mm (dubina).

Prikazane su dimenzije ploče za postavljanje na zid.

Pre nego što počnete:

- Proverite da li je proizvod koji ste izvadili iz ambalaže u dobrom stanju i da li pakovanje sadrži sve elemente neophodne za sklapanje.
- Napajanje unutrašnjeg modula je 12 VDC. Osigurajte da napajanje odgovara unutrašnjem modulu.
- Vodite računa da sva relevantna oprema bude isključena prilikom montaže.
- U specifikacijama proizvoda proverite neophodne parametre sredine za postavljanje.
- Ovde je primer postavljanja na zid pomoću razvodne kutije.

#### ★Postavljanje na zid pomoću razvodne kutije

- Izdubite rupu u zidu. Veličine rupe treba da budu 76 mm (širina) × 76 mm (dužina) × 50 mm (dubina).
- Umetnite razvodnu kutiju u rupu izdubljenu u zidu.
- Pričvrstite ploču za postavljanje na zid na razvodnu kutiju pomoću 2 vijka.
- Čvrsto zakačite unutrašnji modul na ploču za postavljanje na zid tako što ćete umetnuti kuke na ploči u ploču sa zadnje strane unutrašnjeg modula, pri čemu će se hvataljka kuke automatski zaključati.

#### ★Postavljanje na zid bez razvodne kutije

- Umetnite 2 produžne cevi u zid.
- Pričvrstite na zid ploču za postavljanje na zid pomoću 2 zavrtnja.
- Čvrsto zakačite unutrašnji modul na ploču za postavljanje na zid tako što ćete umetnuti kuke na ploči u ploču sa zadnje strane unutrašnjeg modula, pri čemu će se hvataljka kuke automatski zaključati.

#### 4 Početak rada

#### 1 Aktivirajte unutrašnji modul

Pre aktiviranja uređaja morate da konfigurirate jaku lozinku da biste uopšte mogli da ga koristite.

- Uključite napajanje uređaja. Uređaj će automatski prikazati stranicu za aktiviranje.
- Kreirajte lozinku i potvrdite je.
- Dodirnite „OK“ da biste aktivirali unutrašnji modul.

Napomena: Preporučujemo vam da kreirate jaku lozinku po sopstvenom izboru (koja se sastoji od najmanje 8 znakova, uključujući bar tri vrste znakova od navedenih: velika slova, mala slova, cifre i specijalni znakovi), kako biste bolje zaštitili svoj proizvod. Takođe preporučujemo da redovno resetujete lozinku, posebno ako je zaštitna uloga kamere velika; nedeljno ili mesečno resetovanje lozinke povećava zaštitu proizvoda.

#### 2 Brzo konfigurisanje

- Izaberite jezik i dodirnite „Sledeće“.
- Podesite parametre mreže i dodirnite „Sledeće“.
  - Podesite lokalnu IP, masku podmreže i parametre mrežnog prolaza.
  - Aktivirajte DHCP, a uređaj će automatski preuzeti parametre mreže.
- Konfigurirate unutrašnji modul i dodirnite „Sledeće“.
  - Izaberite tip unutrašnjeg modula.
  - Podesite broj sprata i sobe.
- Povežite srodne uređaje i dodirnite „Sledeće“. Ako su uređaj i unutrašnji modul na istom LAN-u, uređaj će biti prikazan na listi. Dodirnite uređaj ili unesite njegov serijski broj da biste izvršili povezivanje.
  - Dodirnite modul za vrata na listi da biste izvršili povezivanje.
  - Dodirnite ikonu za podešavanje da biste prikazali stranicu sa podešavanjima mreže.
  - Ručno podesite parametre mreže unutrašnjeg modula ili omogućite DHCP da bi parametri mreže bili automatski preuzeti.
  - Opciono: Aktivirajte „Sinhronizuj jezik“ da biste sinhronizovali jezik modula za vrata sa unutrašnjim modulom.
- Dodirnite „OK“ da biste sačuvali podešavanja.
- Dodirnite „Završi“ da biste sačuvali podešavanja.

★ Za detaljnije informacije, pogledajte Vodič za konfigurisanje unutrašnjeg modula video-interfona (skenirajte QR kôd).

✳ Za detaljnije informacije, pogledajte Vodič za upotrebu unutrašnjeg modula video-interfona (skenirajte QR kôd).